

QSR190FT

VRLA Gel Carbon Nano Battery



Performance characteristics

Nominal Voltage	12V
Design Life	15 years
Nominal Capacity 25°C (77°F) 10 hour rate (C ₁₀ to 1.8V)	190Ah
Self-Discharge 2% of capacity declined per month at 25°C (average)	
Operating Temperature Range	-40-55°C
Charge Methods Float Voltage: 2.25 to 2.27VPC @ 25°C / 77°F Boost Voltage: 2.35 to 2.40VPC @ 25°C / 77°F	
Temperature compensation	-5.0mV/°C/Cell
Terminal Torque	8Nm
Female Terminal	M8
Front Terminal Adapter	M8

Features

- Maintenance free

- Exceptional cycle life (>2000 cycles, IU charge, >1000 cycles, IU charge @ 50% DoD and 30°C)

- Deep Cycle Resilient

- Partial State of Charge (PSOC) compatibility

- Central degassing

- Ultra fast recharge

- Shelf life of 2 years

Dimensions and weight

Length	560mm	22.05in
Width	125mm	4.92in
Height container	328mm	12.91in
Weight	64.2kg	141.54lb

NOTE: There is a tolerance of +/-5%.

Applications

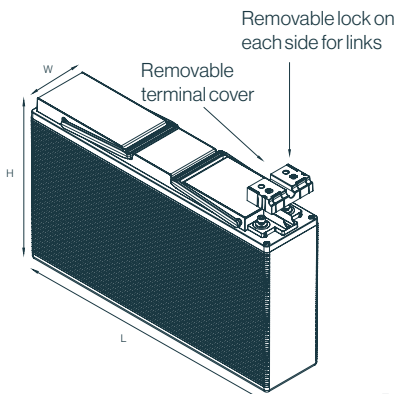
- UPS Systems

- Telecommunications

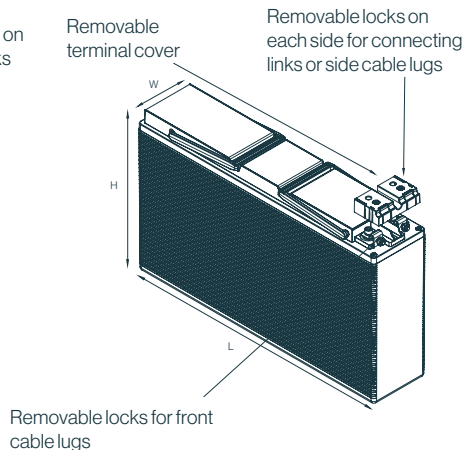
- Emergency Lighting

- Utility

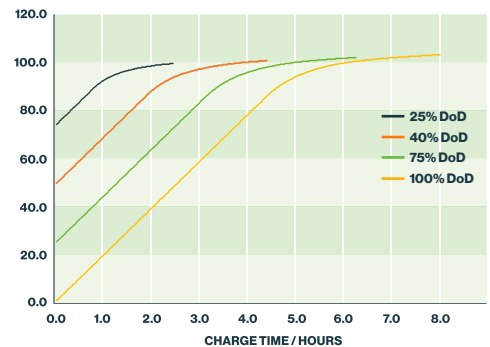
190FT with standard M8 terminal



190FT with front terminal adapter



Recharge curves 2.400PC 2x10



Discharge Tables at 25°C (77°F)

Current / Amps

EODV	5m	10m	15m	20m	30m	45m	1h	2h	3h	4h	5h	6h	7h	8h	9h	10h	20h
1,90	320.8	277.9	244.9	218.9	178.8	140.4	113.9	64.3	46.1	36.7	30.6	26.3	23.3	20.8	18.8	17.0	8.9
1,85	355.1	315.9	284.1	256.0	205.7	156.7	126.1	74.4	54.5	42.7	35.0	29.8	25.9	22.9	20.5	18.6	9.7
1,80	420.9	345.3	308.5	274.6	219.2	166.5	134.7	78.4	57.1	44.7	36.5	31.0	26.8	23.6	21.1	19.1	10.0
1,75	505.0	381.7	337.9	296.8	235.1	175.5	140.8	81.4	58.8	45.9	37.7	31.8	27.5	24.2	21.6	19.6	10.3
1,70	599.9	424.9	362.4	315.4	244.9	181.2	144.5	83.6	60.2	46.8	38.2	32.4	28.2	24.9	22.3	20.2	10.4
1,65	661.2	468.1	386.9	330.2	251.0	184.5	147.7	84.2	60.7	47.3	38.7	32.8	28.5	25.2	22.6	20.4	10.6
1,60	734.6	504.4	406.5	345.3	257.1	189.4	150.6	85.7	61.6	48.1	39.3	33.2	28.9	25.5	22.9	20.7	10.8

Capacity / Ah

EODV	5m	10m	15m	20m	30m	45m	1h	2h	3h	4h	5h	6h	7h	8h	9h	10h	20h
1,90	25.7	47.2	61.2	72.2	89.4	105.3	113.9	128.6	138.4	146.9	153.0	157.9	162.8	166.5	169.0	170.2	177.5
1,85	28.4	53.7	71.0	84.5	102.8	117.5	126.1	148.8	163.5	170.8	175.1	178.8	181.2	183.2	184.9	186.1	193.4
1,80	33.7	58.7	77.1	90.6	109.6	124.9	134.7	156.7	171.4	178.8	182.4	186.1	187.3	188.6	189.8	191.0	200.8
1,75	40.4	64.9	84.5	97.9	117.5	131.6	140.8	162.8	176.3	183.7	188.6	191.0	192.2	193.4	194.7	195.9	205.2
1,70	48.0	72.2	90.6	104.1	122.4	135.9	144.5	167.2	180.7	187.3	191.0	194.7	197.1	199.0	200.8	202.0	208.1
1,65	52.9	79.6	96.7	109.0	125.5	138.4	147.7	168.3	182.2	189.2	193.4	196.5	199.6	201.4	203.2	204.5	211.8
1,60	58.8	85.8	101.6	113.9	128.6	142.0	150.6	171.4	184.9	192.2	196.5	199.0	202.0	203.9	205.7	206.7	216.7

Power / Watt per cell

EODV	5m	10m	15m	20m	30m	45m	1h	2h	3h	4h	5h	6h	7h	8h	9h	10h	20h
1,90	618.3	544.8	446.9	400.4	324.5	257.1	220.4	131.0	96.7	76.5	64.9	53.9	45.3	39.8	37.3	34.9	14.7
1,85	661.2	606.1	502.0	440.8	355.1	275.5	232.6	140.8	105.3	83.3	68.6	56.9	47.8	42.2	39.8	38.0	17.1
1,80	740.7	642.8	563.2	502.0	388.1	300.0	251.0	151.8	110.2	88.2	72.2	59.4	50.8	45.3	42.9	41.0	19.0
1,75	875.4	691.8	626.9	557.1	444.4	336.7	271.8	160.4	117.5	92.4	75.9	62.4	53.9	49.0	45.9	44.1	20.4
1,70	1028.5	728.5	652.6	581.6	460.4	346.5	277.9	162.8	118.8	93.1	76.5	63.7	55.1	49.6	47.1	44.4	20.6
1,65	1101.9	808.1	675.8	593.8	465.3	355.1	281.6	164.1	120.0	93.7	77.1	64.3	55.7	50.2	47.4	44.4	20.6
1,60	1212.1	881.5	697.9	606.1	475.1	358.7	284.1	165.3	121.2	94.3	77.7	64.9	56.3	50.9	47.6	44.7	20.8