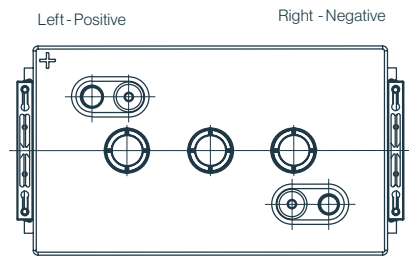
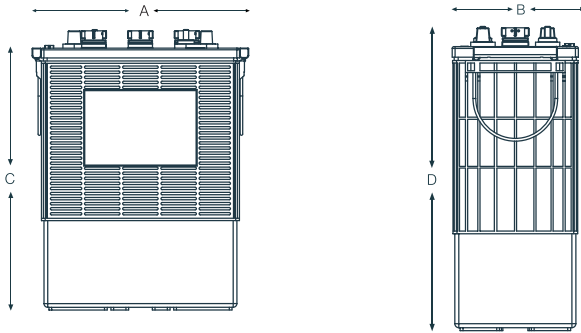


F06-06-390 (L16)

Flooded Deep Cycle Battery



Electrical Specifications

C5 Capacity	320Ah
C20 Capacity	390Ah
Voltage	6V
80% DOD Voltage Cutoff	5.6V
Self Discharge	Less than 3% per month (20°C/68°F)
Charge Temperature	Min: -10°C (14°F) / Max: 50°C (122°F)
Discharge Temperature**	Min: -40°C (-40°F) / Max: 50°C (122°F)
Storage	Min: -20°C (-4°F) / Max: 60°C (140°F)

Features

- Flooded bloc batteries

- Good high current performance for extreme operating conditions

- 1000 cycles (IEC 60254)

- Recyclable

- Long cycle life

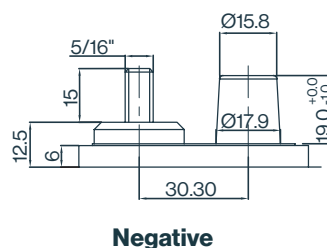
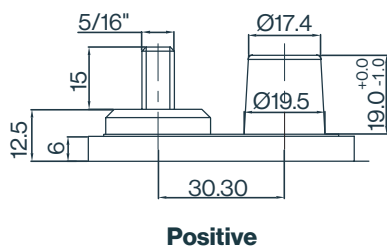
- Low self discharge rate

Mechanical Specifications

Industry Reference	-	
Length (A)	12.1in	308 mm
Width (B)	6.9in	174 mm
Height (C)	15.3in	388 mm
Height (D)	16.4in	416 mm
Weight	105.8 lbs	48 kgs
Terminal (Opt'l)	Dual	
Cell(s)	3	
Electrolyte	Flooded	
Terminal Torque Nm	8	

NOTE: There is a tolerance of +/-2%.

Dual



All applications including:

- Cleaning Machines

- Aerial Platforms & Lifters

- Pallet Trucks

- Golf Carts